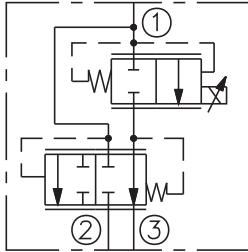




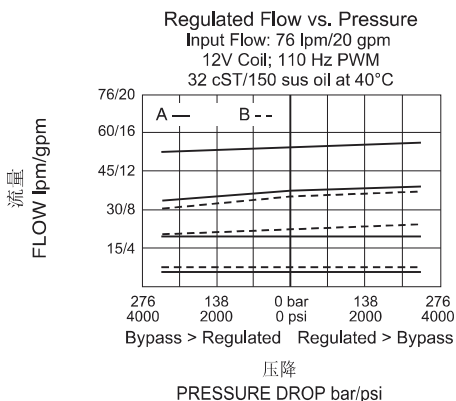
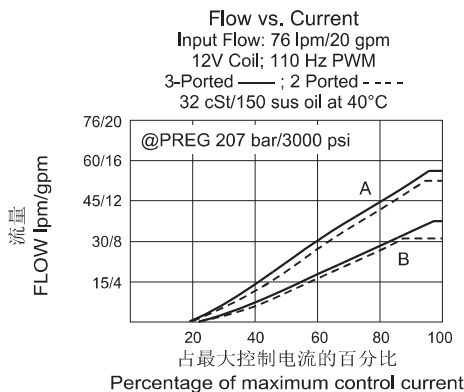
ZY-PV72-30 比例型流量控制插装阀 ZY-PV72-30 Proportional Flow Control Cartridge

机能符号 SYMBOLS:

ISO:



性能图 PERFORMANCE: (Cartridge Only)



描述 DESCRIPTION:

电磁驱动、电气参数可变、三通、压力补偿、阀芯式、断电常闭、比例流量控制阀。可以用作带压力补偿的优先流量调节阀，调节和旁通流量，当封闭旁通线路（油口②）时，也可以用作2通节流型压力补偿流量调节阀。
A solenoid-operated, electrically-variable, three-port, pressure-compensated, spool type, normally closed when de-energized, proportional flow control valve. It can be used as a priority-type flow regulator with pressure-compensated, regulated and bypass flow. It can also be used as a restrictive-type 2-way, pressure-compensated flow regulator when the bypass line (port 2) is blocked.

工作原理 OPERATION:

ZY-PV72-30 将调节油口③的流量，不受系统工作压力的影响。随着电磁阀中电流的增大，ZY-PV72-30 的输出流量也将增大。

注：如果设备的优先流量油口被外部阀封闭，将该阀用于旁通流量控制时，若不使优先油口发生少量泄漏，旁通压降就会增大。

应急手控选件的操作：启动时：顺时针旋转约 1 圈可达到起点。继续再旋转约 5 圈可以达到最大位移。结束时：逆时针旋转约 6 周至正向停止。

The ZY-PV72-30 will regulate flow out of port 3 regardless of system working pressure.

With an increasing current applied to the solenoid, the ZY-PV72-30 will increase output flow.

Note: When used as a bypass flow control in applications where the priority flow port will be blocked by external valving, bypass pressure drop will increase unless a small amount of leakage is provided for the priority port. Consult factory.

Operation of Manual Override: To Engage: Turn clockwise approximately 1 turn to reach start point. Continue another approximately 5 turns to full shift. To Disengage: Turn counterclockwise approximately 6 turns to positive stop.

特性 RATINGS:

工作压力：油口①：240 bar；油口②和③：207 bar
三通模式的调节流量：范围 A：57 lpm；范围 B：38 lpm
三通模式的最大输入流量：范围 A 和 B：114 lpm
二通模式的最大流量：范围 A：53 lpm；范围 B：31 lpm

注意：要增大二通流量控制的流量

内部泄漏：阀全闭时，207 bar 压力时为 0.38 lpm。

介质：粘度介于 7.4~420 cSt (50~2000 sus) 的矿物油或具有润滑作用的合成油
阀孔：ZY-VC12-3；

Operating Pressure: Port 1: 240 bar; Ports 2 and 3: 207 bar

Regulated Flow Rate in 3-Port Mode: Range A: 57 lpm; Range B: 38 lpm

Max Input Flow in 3-Port Mode: Range A and B: 114 lpm

Max Flow Rate in 2-Port Mode: Range A: 53 lpm; Range B: 31 lpm

Max flow in 2-way mode: Range A: 53 LPM; Range B: 31 LPM

Note: For increased flow capacity in a 2-port flow control

Internal Leakage: 0.38 lpm fully closed at 207 bar

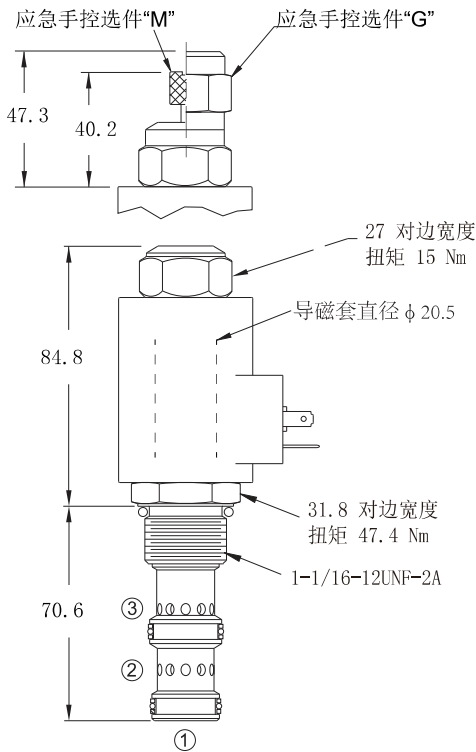
Fluids: Mineral-based or synthetics with lubricating properties at viscosities of 7.4 to 420 cSt (50 to 2000 sus);

Cavity: ZY-VC12-3;

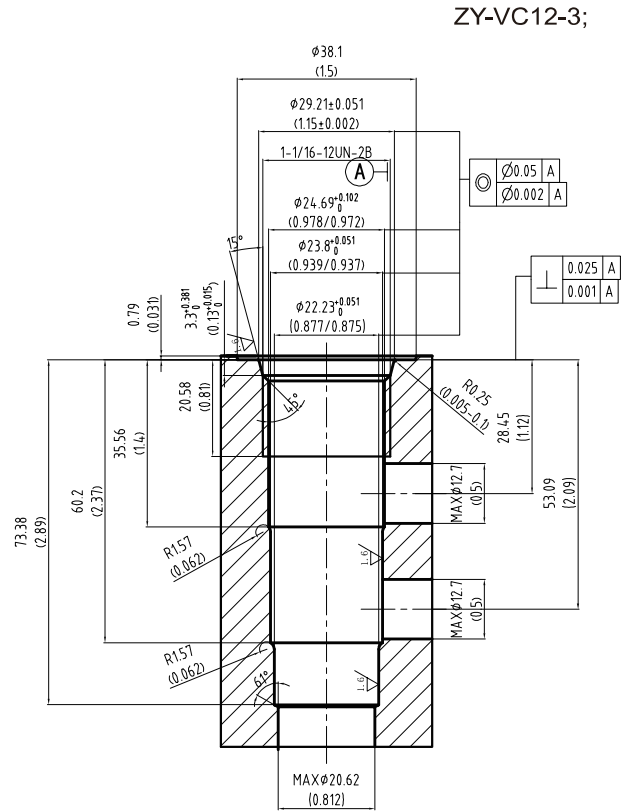
电气特性 (Electrical): 2 种电压标准 (2 standard voltage ratings)

线圈电压	阈值电流	最大控制电流
12 VDC	350±100mA	1600±200mA
24 VDC	175±50mA	800±100mA

尺寸 DIMENSIONS:



阀孔 CAVITY:



特点 FEATURES:

- 优良的线性和磁滞特性。
- 阀芯与阀套硬处理，耐用。
- 电磁线圈电压和终端可选。
- 高效的湿式衔铁结构。
- Excellent linearity and hysteresis characteristics.
- Hardened spool and cage for long life.
- Optional coil voltages and terminations.
- Efficient wet armature construction.

订购型号 TO ORDER:

ZY-PV72-30							
<u>(Flow Range) 流量范围</u>							<u>标准线圈终端(VDC)</u>
(Required. See Performance Curves)		A					Termination(VDC)Std.Coil
(必须参考性能曲线)		B					DS Dual Spades 双扁形接头
<u>(Option) 选件</u>							DG DIN 43650
(None) 无 (空白)							DL Leadwires 导线(2)
<u>(Manual Override)</u>							DL/W Leads w/Weather-Pack® Connectors 导线, 带连接器
应急手控 M							DR Deutsch DT04-2P
(with Guard) 带保险 G							<u>E型线圈终端(VDC)</u>
<u>(Porting) 阀块油口</u>							Termination(VDC)E-Coil
(For ordering valve block models, see:6.0.0.00)							ER Deutsch DT04-2P (IP69K Rated)符合标准
订购阀块型号请参见: 6.0.0.00							Coils with internal diode are available. Consult factory. 提供带内置二极管的线圈, 请咨询工厂
<u>(Seals)密封材料</u>							
Buna N(Sta)							
丁腈橡胶(标准型)					N		
(Fluorocarbon)氟橡胶					V		
<u>电压 Voltage</u>							
无线圈						0	
(Less Coil)							
12 VDC						12	
24 VDC						24	